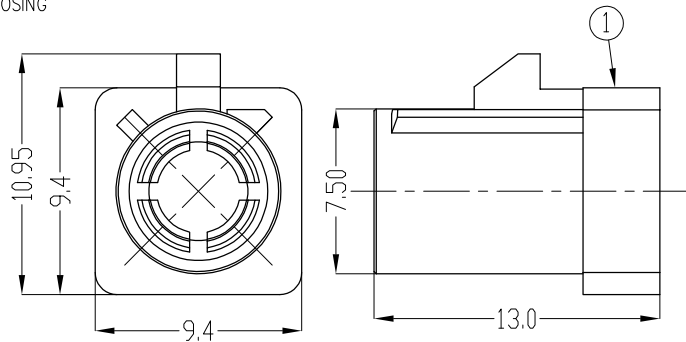
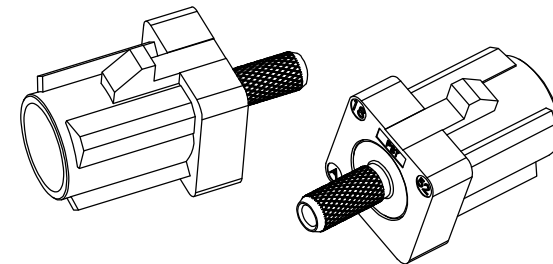


HOSING



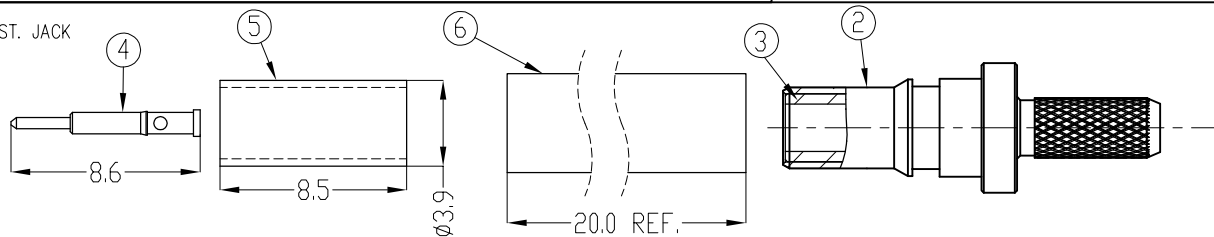
CODE	HOUSING	SMB ST. Plug
A	92802-00AH0M1-001	36222-5001
B	92802-00BH0M0-001	
C	92802-00CH0M5-001	
D	92802-00DH0M2-001	
E	92802-00EH0M3-001	
F	92802-00FH0M7-001	
G	92802-00GH0M9-001	
H	92802-00HH0M8-001	
I	92802-00IH0MA-001	
K	92802-00KH0MB-001	
L	92802-00LH0M2-001	
M	92802-00MH0M4-001	
N	92802-00NH0M3-001	
Z	92802-00ZH0M5-001	

NOTES:
 1.ELECTRICAL PERFORMANCE :
 1.Impedance : 50 ohms
 2.Frequency Range : DC~ 4 GHz
 3.Working Voltage : 335 Vrms Max.
 4.Dielectric Withstanding Voltage : 800 Vrms Min.
 2. SPEC. PLS. REFER TO PS-92801-xxxxx-xxx
 3. PART NUMBER

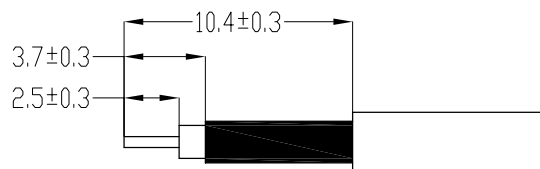


Assembly Drawing

SMB ST. JACK



CODE	CODE REFERENCE CHART	CODE
A	Black 9005 Radio without phantom supply	Violet 4003 GPS for telematics and navigation
B	Cream white 9001 Radio with phantom supply	Beige 1001 Remote control parking heating
C	Blue 5005 GPS	Curry 1027 Radio with IF
D	Bordeaux 4004 GSM cellular phone	Carmine red 3002 Not defined
E	Green 6002 TV1/SDARS	Pastel orange 2003 Not defined
F	Brown 8011 TV2/SDARS	Pastel green 6019 Not defined
G	Gray 7031 Remote control keyless enter	Water blue 5021 Neutral coding



Recommended Cable Stripping Dim's

6	Shring Tube	PE	Black	1
5	Ferrule	Brass	Nickel	1
4	Contact	Brass	Gold	1
3	Insulator	Teflon	Natural	1
2	Body	Brass	Nickel	1
1	Housing	PA9T	By code color	1
Items	Description	Material	Finished	Q'ty

QUALITY SYMBOLS		DRAWN BY	DATE
MAJOR	QUARTERLY	Lin Liang Ju	20/04/28
CRITICAL		CHECKED BY	DATE
		Lee KuangEn	20/04/28
GENERAL TOLERANCES (UNLESS SPECIFIED)		APPROVED BY	DATE
		Lee KuangEn	20/04/28
X.	±0.5	UNITS	
.X	±0.25	mm	
.XX	±0.15	SCALE	
.XXX	±0.1	1:1	
ANGLES	±2°	SHEET NO.	
		2 OF 1	

ACES ELECTRONICS

FAKRA ST.PLUG FOR RG174 CABLE

TITLE

DWG NO. 92803-XXXXX-CA1

SIZE A4

REV B

PART NO. SEE NOTES